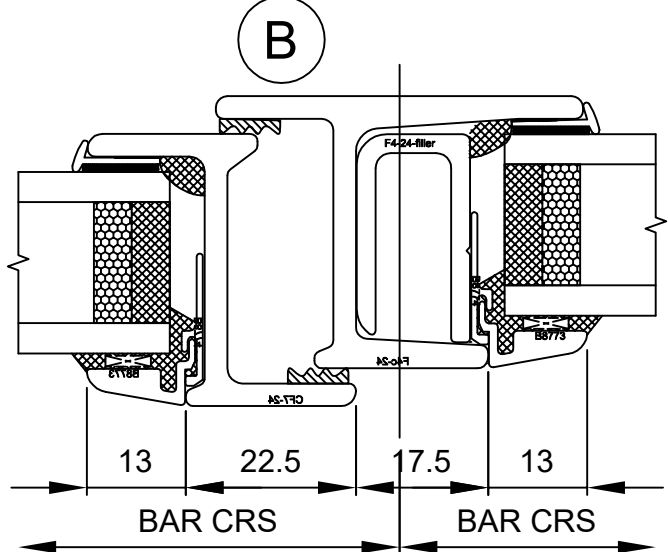
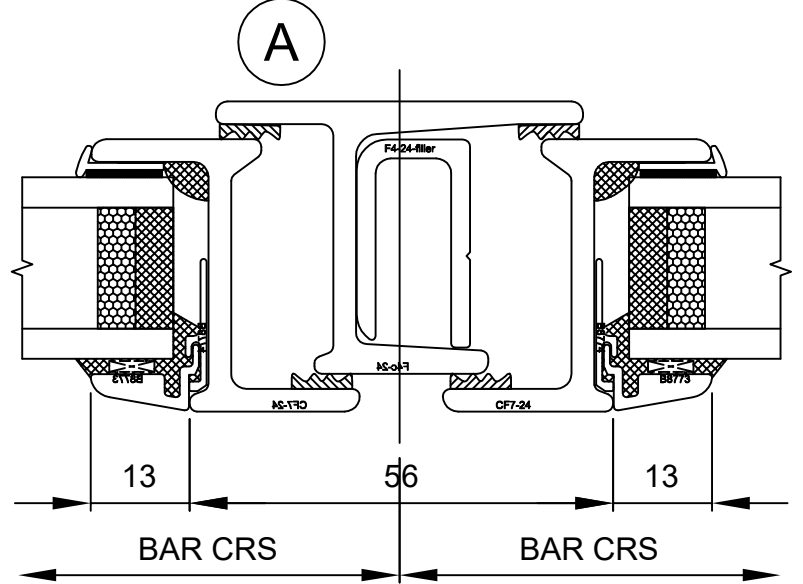
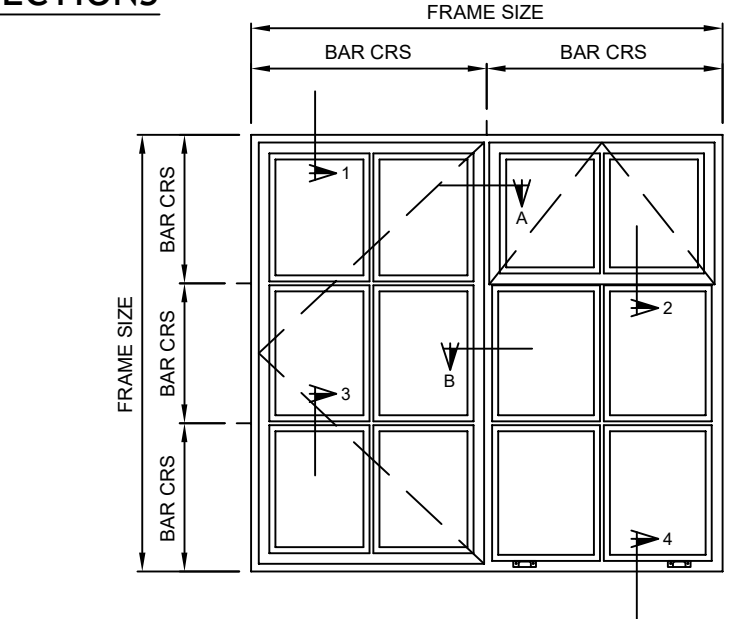
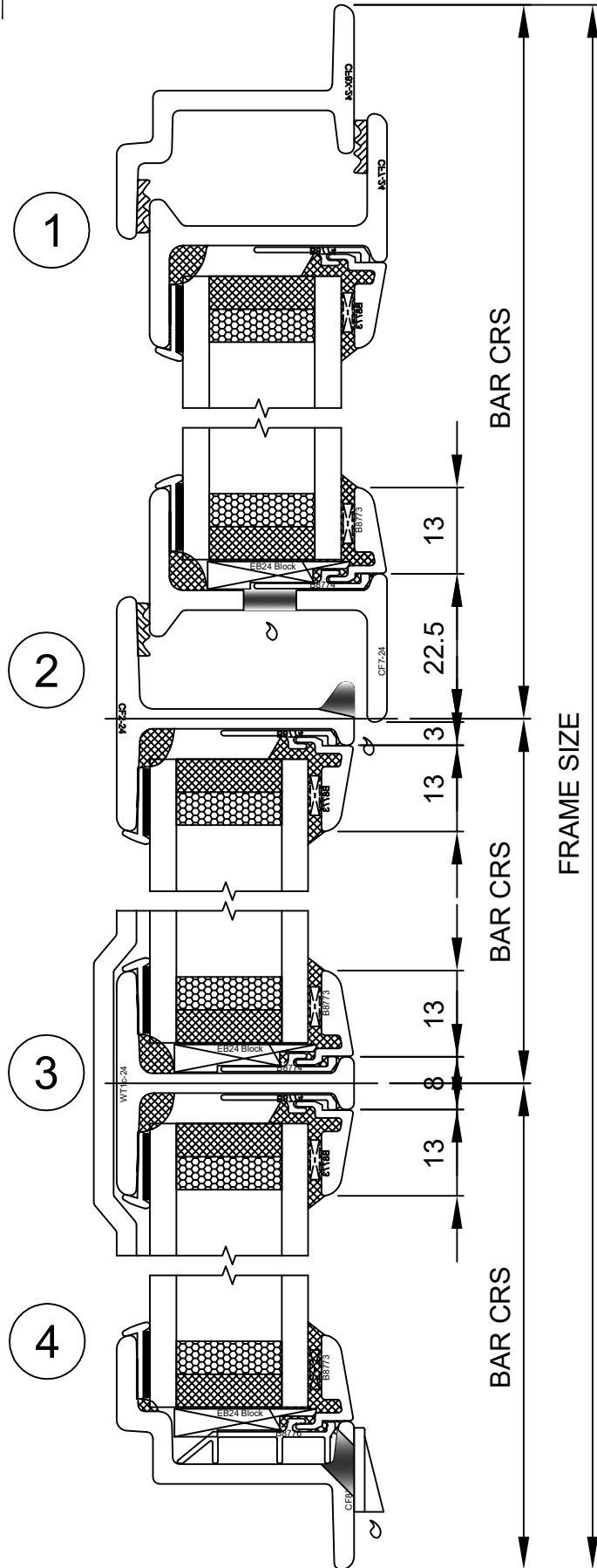


EB24 'C' RATED WINDOW CASEMENT NEXT TO TOP HUNG OVER FIXED LIGHT SECTIONS



TEE BARS ALSO AVAILABLE WITH FLUSH JOINT

CLEMENT
 CLEMENT WINDOWS LTD
 CLEMENT HOUSE
 HASLEMERE, SURREY, GU27 1HR

Copyright Reserved 2014,
 CLEMENT WINDOWS LTD
 This product is protected by the provisions of the Copyright, Design & Patents Act 1988
 EMAIL: info@clementwg.co.uk
 WEBSITE: www.clementwindows.co.uk
 DATE: 08/03/17

DRAWING TITLE:
EB24 ,C, TEE BAR & MULLION
 CLIENT:

DRAWING No.
EB05
 REVISION: