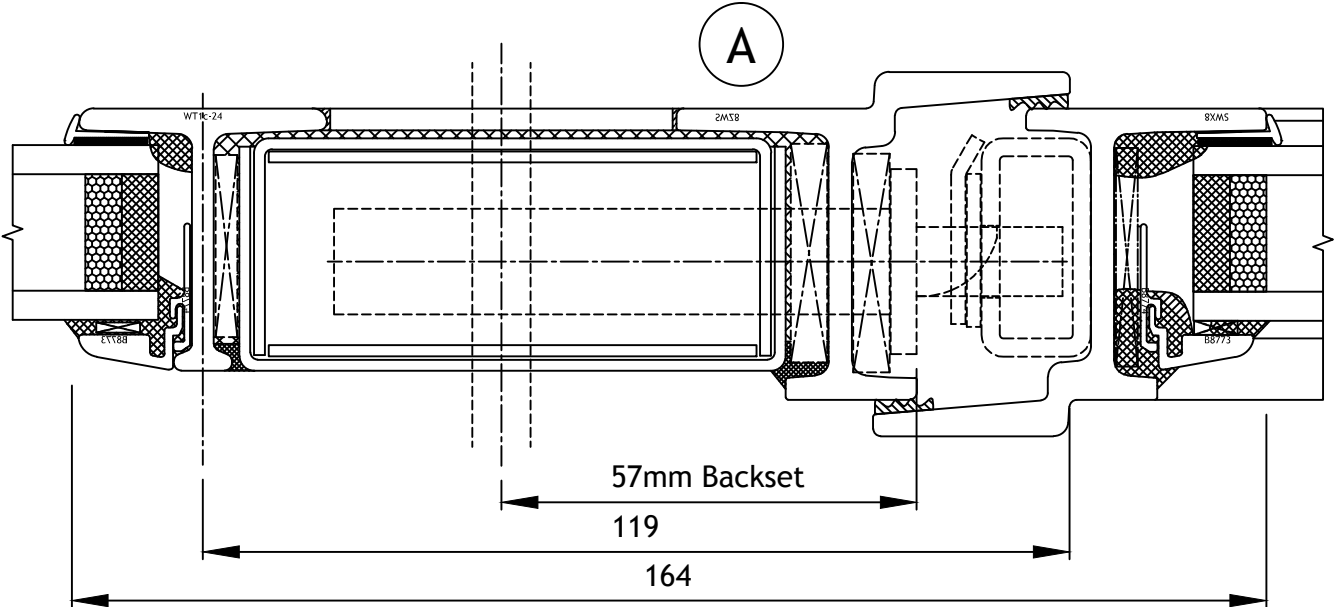
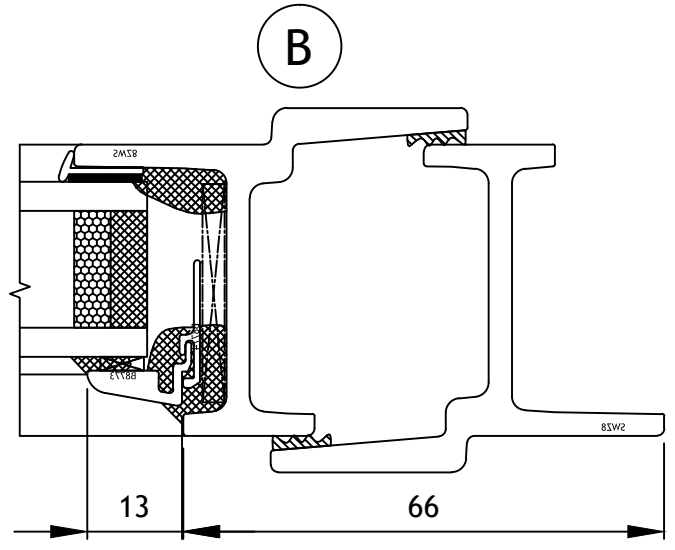
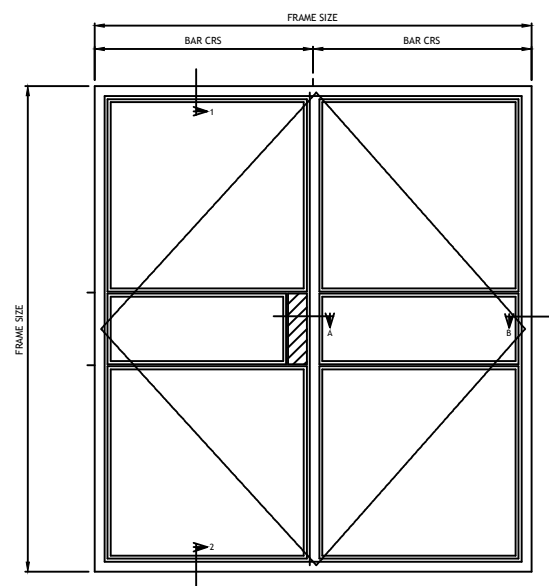
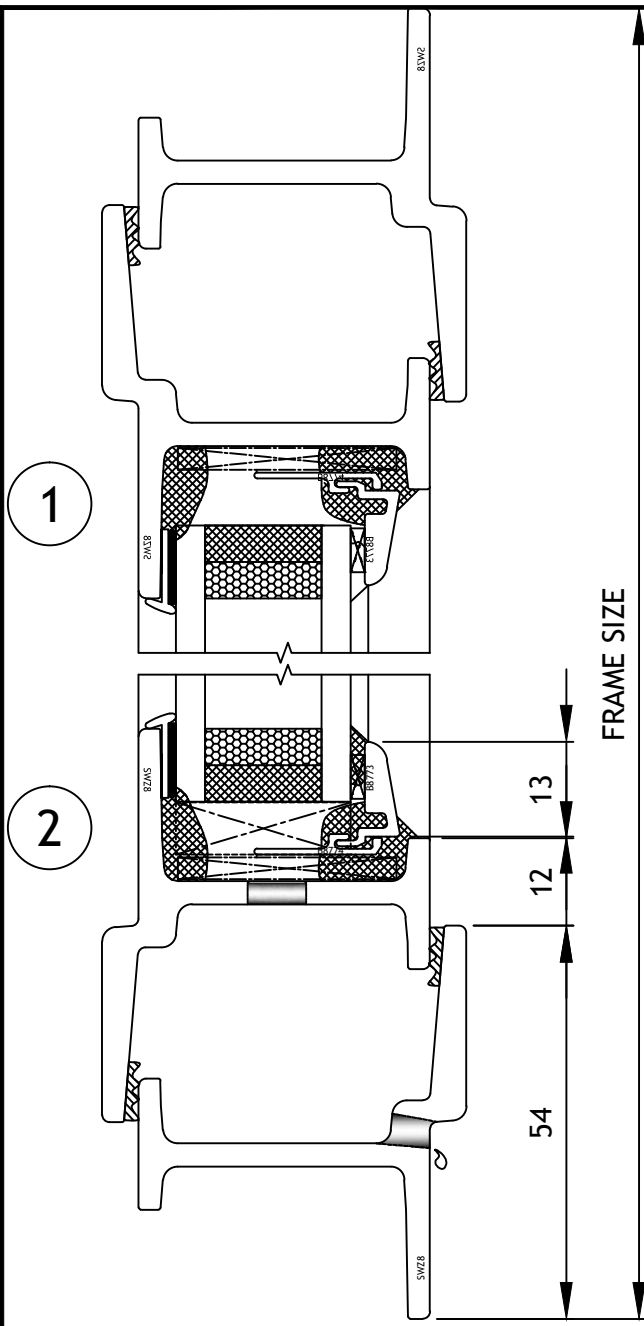


EB24 RATED SINGLEPOINT LOCKING OPEN IN DOOR



	Copyright Reserved 2013, CLEMENT WINDOWS LTD This product is protected by the provisions of the Copyright, Design & Patents Act 1988		DRAWING TITLE: EB24 S.P. Locking Door	DRAWING No. EB11
	EMAIL: info@clementwg.co.uk WEBSITE: www.clementwindows.co.uk DETAILS SUBJECT TO CHANGE WITHOUT NOTICE		DATE: 08/03/17 SCALE @ A4: 1:1 & 1:30	CLIENT: REVISION: